

X-RIDE DISC

FRAME PASSPORT

TYPE: 7E1.1
LAST UPDATE: 11/10/2017

#BeTOUGH

**INDEX**

0. UPDATES.....	3
1. GENERAL.....	3
1.1. Description	3
1.2. Part codes.....	3
2. MATERIAL	3
3. WEIGHT	3
3.1. Frame.....	3
3.2. Fork.....	3
4. GEOMETRY.....	4
5. CABLE ROUTING	4
5.1. Compatibility	4
5.2. Mechanical cable routing.....	4
6. PARTS	5
6.1. Fork.....	5
6.1.1. Material.....	5
6.1.2. Dimensions	5
6.1.3. Brakes.....	5
6.1.4. Part codes	5
6.2. Headset.....	5
6.3. Seat post.....	6
6.4. Bottom bracket	6
6.5. Brakes.....	6
6.6. Derailleur	6
6.6.1. Front.....	6
6.6.2. Rear.....	6
7. WHEELS AND TIRES.....	7
7.1. Fork.....	7
7.2. Frame.....	7
8. WARRANTY INFORMATION.....	7
8.1. Maximum rider weight	7



0. FOREWORD

Our frames, forks and components are in a continuous state of upgrade and development. We strongly advise checking our website for new updates before reading this document.

1. PART CODES

All the X-Ride Disc 2018 frames have a specific part code composed by the letters "FRAXRIRID...", followed by 3 numbers. The three numbers change depending on the design and size of the frame. Due to the big number of frames we don't list all the numbers but you can contact your local dealer for more information if needed.

2. MATERIAL

The X-Ride Disc 2018 is built out of high quality triple butted 6061 Aluminum.

3. WEIGHT

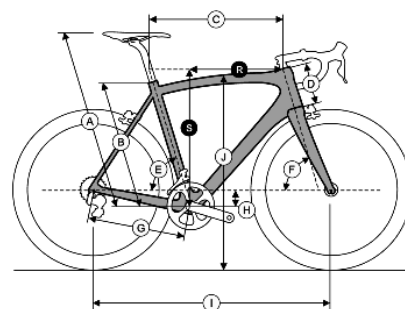
3.1. FRAME

SIZE	WEIGHT (*)
XXS	1280 GRAMS
XS	1320 GRAMS
S	1360 GRAMS
M	1400 GRAMS
L	1440 GRAMS
XL	1480 GRAMS

(*) Weight of painted frame, real weight may differ from the weight mentioned above by 10 %.

4. GEOMETRY

SIZE	A	B	C	D	E	F	G	H	I	J	S	R
XXS	745	450	515	89	75,0	71,5	425	53	1000	735	496	382
XS	770	475	525	100	74,5	72,0	425	57	1000	751	512	383
S	795	500	535	115	74,0	72,0	425	60	1004	768	529	383
M	820	525	545	135	73,5	72,0	425	62	1009	789	550	382
L	845	550	560	155	73,5	72,0	425	64	1023	809	571	391
XL	870	575	575	180	73,5	72,0	425	64	1039	833	595	399



5. COMPATIBILITY

The X-Ride Disc 2018 is compatible with mechanical group sets only.

Below you can find the parts needed for a mechanical groupset (double chainring):

PART	PART CODE	LOCATION
RIDLEY CABLE GUIDE	CBGR CERID001	BOTTOM BRACKET
RIDLEY CABLE GUIDE HYDRAULIC	CBGR CERID012	BOTTOM BRACKET
END CAP WITH LINER	CABSTIJAG037	HEAD TUBE LEFT
END CAP WITH LINER	CABSTIJAG037	HEAD TUBE RIGHT
RAIN AND DIRT PROTECTOR	CABSTIJAG038	CHAINSTAY
RAIN AND DIRT PROTECTOR	CABSTIJAG038	SEAT TUBE
NOSED FERRULE	CABSTIJAG035	CHAINSTAY
CABLE CLIP	FRPCLIOLY001	CHAINSTAY

Below you can find the parts needed for a mechanical groupset (single chainring):

PART	PART CODE	LOCATION
RIDLEY CABLE GUIDE	CBGR CERID001	BOTTOM BRACKET
RIDLEY CABLE GUIDE HYDRAULIC	CBGR CERID012	BOTTOM BRACKET
END CAP WITH LINER	CABSTIJAG037	HEAD TUBE LEFT
RAIN AND DIRT PROTECTOR	CABSTIJAG038	CHAINSTAY
NOSED FERRULE	CABSTIJAG035	CHAINSTAY
CABLE CLIP	FRPCLIOLY001	CHAINSTAY



6. PARTS

6.1. FORK

The standard fork used for the X-Ride Disc, is the 4ZA Oryx Disc TA fork.

6.1.1. MATERIAL

24 & 30 ton high modulus Carbon

6.1.2. DIMENSIONS

Steerer tube length: 300 mm

Headset: 1 1/8" upper ring – 1 1/2" lower ring

Fork rake: 47 mm

OLD (OverLock nut Distance): 100 mm

Axle: 12mm Thru-Axle, 1.5mm pitch

6.1.3. BRAKES

Disc brake compatibility: Flatmount 140mm and 160mm rotors

The Oryx Disc TA is backwards compatible with postmount disc calipers by using following adapters:

- For 140mm rotor: BRPADATRP005
- For 160mm rotor: BRPADATRP002

6.1.4. PART CODES

All the Oryx Disc TA forks have a specific part code composed by the letters 'FORORY4ZA..', followed by 3 numbers. The three numbers vary depending on model and graphic design. Due to the big number of forks we don't list all the numbers but you can contact your local dealer for more information if needed.

6.2. HEADSET

45° Oversized angular contact bearing (S.H.I.S. : IS42/28,6|IS52/40):

Lower bearing: 1 1/2"

Upper bearing: 1 1/8"

Recommended headsets:

DESCRIPTION	PART CODE	PRODUCT PART CODE
HEADSET	HSERACDEE002	HDIN85ASUJR
HEADSET	HSERACFSA008	NO.42/ACB-A-H6091

6.3. SEAT POST

The X-Ride Disc 2018 is compatible with 27,2mm seatposts.

6.4. BOTTOM BRACKET

The bottom bracket is BSA threaded and has a width of 68 mm to fit standard BSA68 cups

6.5. BRAKES

The X-Ride Disc 2018 frame is compatible with most standard disc brakes, available in the market.
Disc brake compatibility: Flatmount 140mm rotors.

The X-Ride Disc 2018 frame is backwards compatible with postmount disc calipers by using following adapters:

- For 140mm rotor: BRPADATRP003
- For 160mm rotor: BRPADATRP004

6.6. DERAILLEUR

6.6.1. FRONT

The frame is designed to be used with a clamp-on top pull or down pull (by using the standard assembled cable wheel) derailleur for a 34,9 mm seat tube.

Alternatively, a braze-on derailleur can be mounted by using the 4ZA 34,9 mm front derailleur clamp (Part code: SPCSNGNOB001).

6.6.2. REAR

The rear derailleur hanger used for X-Ride Disc 2018 is the HANRCERID039

7. WHEELS AND TIRES

7.1. FORK

The fork is developed for 700C wheels with a built-in width of 100 mm and a 12mm Thru-Axle. We recommend a maximum tire size of 700*36mm.

7.2. FRAME

The frame is compatible with 700c Disc wheels with 142x12mm Thru-Axle system.

We recommend a maximum tire size of 700*36mm.

Please note that not all tire manufacturers use the same sizing standard so we recommend to do assembly check and confirm clearances.

8. WARRANTY INFORMATION

8.1 MAXIMUM RIDER WEIGHT

The maximum advised rider weight is 95 kg.

#BeTOUGH