

FENIX CARBON

FRAME PASSPORT

type: 7dD
last update: 05/10/2017



**INDEX**

0. UPDATES.....	3
1. GENERAL.....	3
1.1. Description	3
1.2. Part codes.....	3
2. MATERIAL	3
3. WEIGHT	3
3.1. Frame.....	3
3.2. Fork.....	3
4. GEOMETRY.....	4
5. CABLE ROUTING	4
5.1. Compatibility	4
5.2. Mechanical cable routing.....	4
5.3. Electronic cable routing	5
6. PARTS	6
6.1. Fork.....	6
6.1.1. Material.....	6
6.1.2. Dimensions	6
6.1.3. Part codes.....	6
6.2. Headset.....	6
6.3. Seat post.....	7
6.4. Bottom bracket	7
6.5. Brakes.....	7
6.6. Derailleur	8
6.6.1. Front.....	8
6.6.2. Rear.....	8
6.7. Drop outs	8
7. WHEELS AND TIRES.....	9
7.1. Fork.....	9
7.2. Frame.....	9
7.3. Tires	9
8. WARRANTY INFORMATION.....	9
8.1. Maximum rider weight	9

0. UPDATES

The development of frames, forks and components is a continuous running process. Therefore we strongly advise before reading this information sheet check our website for new updates.

1. GENERAL

1.1. DESCRIPTION

Due to the unique design, the Fenix is a multi purpose frame that can be used for recreational and competitive riding. The oversized sharp edge tubing guarantees a high level of stiffness and is extremely strong in all areas. The specially developed flex areas in the seat stays absorb vibrations from the road to give the rider the right amount of comfort. This is a true all-rounder!

1.2. PART CODES

All the Fenix frames have a particular part code composed by the letters "FRAFECRID...", added by 3 numbers. The three numbers change depending on the design and size of the frame. Due to the big amount of frames we don't list all the numbers but you can contact your local dealer for more information if needed.

2. MATERIAL

Used frame materials:

- 24 ton High Modulus Carbon
- Stainless steel (drop out protection plates)

3. WEIGHT

3.1. FRAME

SIZE	WEIGHT (*)
XXS	1110 GRAMS
XS	1150 GRAMS
S	1190 GRAMS
M	1230 GRAMS
L	1270 GRAMS
XL	1320 GRAMS

(*) Weight of painted frame, real weight may differ from the weight mentioned above by 10 %.

3.2. FORK

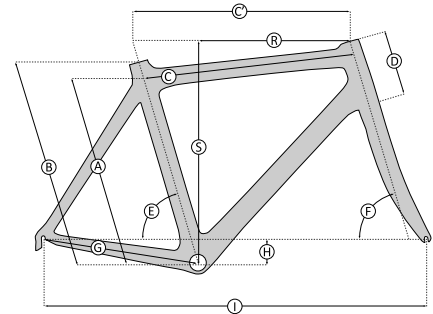
The weight of the 4ZA Fenix Carbon fork is around 390 g (*), This fork is used in all bikes specced with a full Shimano 105 group or higher. Other bikes feature the 4ZA Fenix 7005 fork with a weight of 560g (*).

(*) Weight of painted fork, real weight may differ from the weight mentioned above by 10 %.

4. GEOMETRY

SIZE	A	B	C	C'	D	E	F	G	H	I	J*	S	R
XXS	410	450	500	515	110	75	72	405	68	969	690	505	380
XS	440	480	510	525	130	74	72	405	68	974	740	530	375
S	470	510	530	545	145	73,5	73	405	66	977	750	545	385
M	500	540	550	565	175	73	73,5	405	66	990	780	575	390
L	530	570	570	585	205	72,5	73,5	408	63	1003	810	602	400
XL	560	600	585	600	230	72,5	74	408	63	1012	840	625	405

(*) J: Stand over height



5. CABLE ROUTING

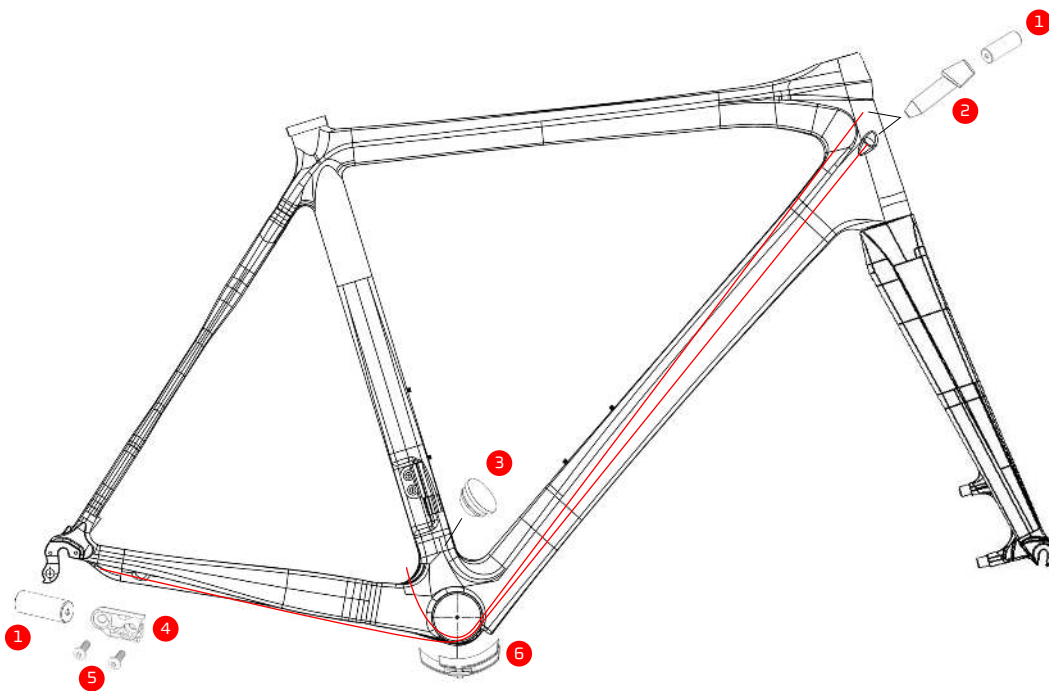
5.1. COMPATIBILITY

The Fenix is compatible for:

- Mechanical groupsets
- Electronical groupsets: Shimano Di2 & Campagnolo EPS

5.2. MECHANICAL CABLE ROUTING

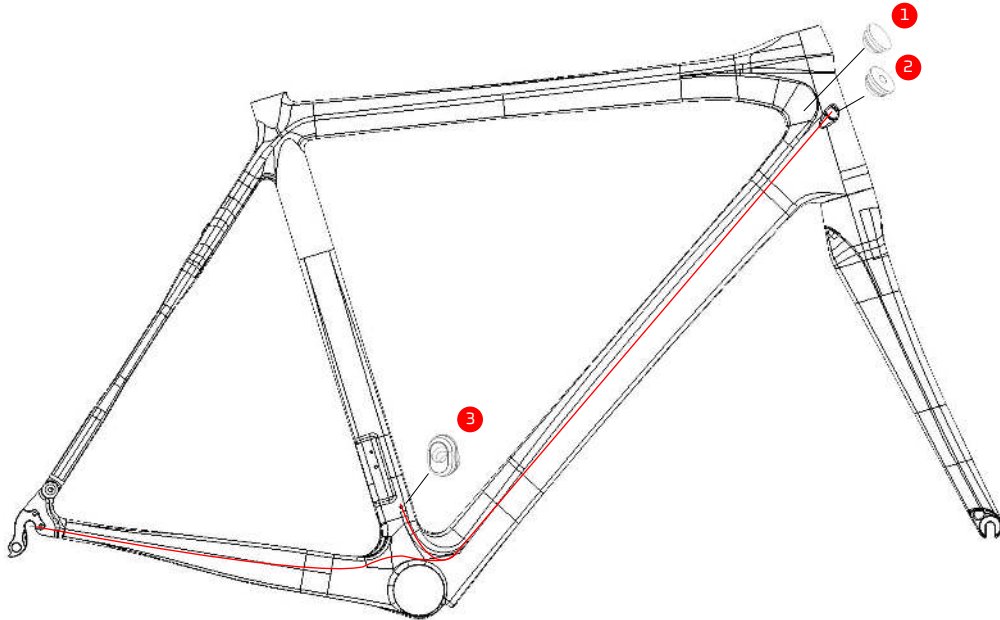
Below you can find the parts needed for a mechanical groupset:



NO.	PART	PART CODE	QUANTITY
1	END CAP, SHIFTER CABLE	CABSTIJAG037	3
2	CABLE STOPPER	FRPSTORID006	2
3	CLOSED GROMMET	FRPGROJAG002	1
4	REPLACEABLE CABLE STOPPER	FRPCSTRID002	1
5	BOLT REPLACEABLE CABLE STOPPER	BLTNOBRID019	2
6	CABLE GUIDE	CBGRCERID007	1

5.3. ELECTRONIC CABLE ROUTING

Below you can find a drawing of the parts needed for an electrical groupset:



NO.	PART	PART CODE	QUANTITY
1	CLOSED GROMMET	FRPGROJAG002	1
2	OPEN GROMMET	FRPGROJAG003	1
3	DI2 GROMMET	FRPGROJAG009	1

- The replacable cable stopper under the chain stay is only needed for a mechanical shifter cable and can be removed for the electrical configuration.
- The battery has to be mounted below the down tube.

6. PARTS

6.1. FORK

For bikes with a groupset of level Shimano 105 or higher The standard fork is the 4ZA Fenix Carbon fork. Other bikes feature the 4ZA Fenix 7005 fork.

6.1.1. MATERIAL

- Fork legs: Carbon
- Steerer tube: Carbon (4ZA Fenix carbon), Aluminium (4ZA Fenix 7005)

6.1.2. DIMENSIONS

- Steerer tube length: 300 mm
- Headset: 1 1/8" upper ring – 1 1/2" lower ring
- Fork rake: 45 mm
- OLD (OverLock nut Distance): 100 mm

6.1.3. PART CODES

All the 4ZA Fenix Carbon forks have a particular part code composed by the letters "FORCFR4ZA...", added by 3 numbers. The three numbers, depending on the design. Due to the big amount of forks we don't list all the numbers but you can contact your local dealer for more information if needed.

6.2. HEADSET

45° Oversized angular contact bearing (S.H.I.S.: IS42/28,6|IS52/40):

- Lower bearing: 1 1/2"
- Upper bearing: 1 1/8"

Recommended headsets:

RIDLEY PART CODE	TYPE	BRAND
HSERACFSA004	NO.42/ACB	FSA
HSERACFSA005	NO.42/CFST/ACB	FSA

6.3. SEAT POST

The Fenix frame is developed to use a 31,6 mm seat post. To fix the seat post the 4ZA 34,9 mm (Part Code: SPCSNG4ZA011) seat post clamp can be used.

6.4. BOTTOM BRACKET

The bottom bracket is designed for press fit 30 cups with a diameter of 46 mm and width of 68 mm.

Below bottom bracket cups are being used for the standard assembled bikes.

PART CODE	BRAND	DESCRIPTION	COMPATIBLE CRANKSETS
BBRPF3SRA001	SRAM	PRESS FIT 30 CUPS	SRAM PRESS FIT 30 CRANKSETS
BBRPF3SRA003	SRAM	PRESS FIT 30 TO BSA 68 ADAPTER	SRAM BSA 68 CRANKSETS SHIMANO BSA 68 CRANKSETS
BBRPF3CAM002	CAMPAGNOLO	ULTRA TORQUE™ OS-FIT™ INTEGRATED CUPS BB30 68X46	CAMPAGNOLO ULTRA TORQUE CRANKSETS
BBRPF3CAM003	CAMPAGNOLO	POWER TORQUE™ OS-FIT™ INTEGRATED CUPS BB30 68X46	CAMPAGNOLO POWER TORQUE CRANKSETS

6.5. BRAKES

The Fenix is suited for most standard brakes, available in the market.

! PAY ATTENTION THE USED BRAKE BOLT NUT IS NOT LONGER THAN 10 MM



6.6. DERAILLEUR

6.6.1. FRONT

The Fenix frame is equipped with a full replaceable braze on clamp (Part code: FDCFEC4ZA003) for the front derailleur.



6.6.2. REAR

The hanger, used for the Fenix is the HAARCERID033.



6.7. DROP OUTS

The carbon drop outs have stainless steel inserts for extra protection.

7. WHEELS AND TIRES

7.1. FORK

The fork is developed for 700C race wheels with a build in width of 100 mm and a quick release system with a maximum diameter of 9 mm.

7.2. FRAME

The frame is developed for 700C race wheels with a build in width of 130 mm and a quick release system with a maximum diameter of 10 mm.

7.3. TIRES

We recommend 25 mm as a maximum tire size. Please note that not all tire manufacturers use the same sizing standard so we recommend to do assembly check and confirm clearances.

8. WARRANTY INFORMATION

8.1. MAXIMUM RIDER WEIGHT

The maximum advised rider weight is 95 kg.

#BeTOUGH