

# DEAN ELECTRONIC

## FRAME PASSPORT

type: 7d9  
last update: 05/10/2017



#BeTOUGH

**INDEX**

<b>0. UPDATES.....</b>	<b>3</b>
<b>1. GENERAL.....</b>	<b>3</b>
1.1. Description .....	3
1.2. Part codes.....	3
<b>2. MATERIAL .....</b>	<b>3</b>
<b>3. WEIGHT .....</b>	<b>3</b>
3.1. Frame.....	3
3.2. Fork.....	3
<b>4. GEOMETRY.....</b>	<b>4</b>
<b>5. CABLE ROUTING .....</b>	<b>4</b>
5.1. Compatibility .....	4
5.2. Electronic cable routing.....	4
5.3. Electronic cable routing top tube entry.....	5
<b>6. PARTS .....</b>	<b>5</b>
6.1. Fork.....	5
6.1.1. Material.....	5
6.1.2. Dimensions .....	5
6.1.3. Part codes .....	6
6.2. Headset.....	6
6.3. Seat post.....	6
6.3.1. Cutting the seat post.....	6
6.3.2. Spacers .....	6
6.3.3. Saddle clamps .....	7
6.4. Bottom bracket .....	7
6.5. Brakes.....	7
6.6. Derailleur .....	8
6.6.1. Front .....	8
6.6.2. Rear.....	8
6.7. Drop outs .....	8
<b>7. WHEELS AND TIRES.....</b>	<b>8</b>
7.1. Fork.....	8
7.2. Frame.....	9
<b>8. WARRANTY INFORMATION.....</b>	<b>9</b>
8.1. Maximum rider weight .....	9

## 0. UPDATES

The development of frames, forks and components is a continuous running process. Therefore we strongly advise before reading this information sheet check our website for new updates.

## 1. GENERAL

### 1.1. DESCRIPTION

For the Dean every square millimeter is designed to reduce energy sapping drag. This bike incorporates two of our patented FAST-Concept® technologies, the F-Splitfork and F-Surface making it one of the fastest time trial frames in the market.

### 1.2. PART CODES

All the Dean frames have a particular part code composed by the letters "FRADEARID..."; added by 3 numbers. The three numbers change depending on the design and size of the frame. Due to the big amount of frames we don't list all the numbers but you can contact your local dealer for more information if needed.

## 2. MATERIAL

Used frame materials:

- 50 ton High Modulus Carbon
- 40 ton High Modulus Carbon
- 30 ton High Modulus Carbon
- Stainless steel (drop out protection plates)

## 3. WEIGHT

### 3.1. FRAME

SIZE	WEIGHT (*)
XS	1330 GRAMS
S	1380 GRAMS
M	1440 GRAMS
L	1500 GRAMS

(\*) Weight of painted frame, real weight may differ from the weight mentioned above by 10 %.

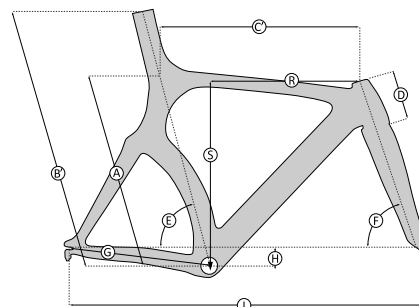
### 3.2. FORK

The weight of the 4ZA F-Splitfork TT is around 520 g (\*)

(\*) Weight of painted fork, real weight may differ from the weight mentioned above by 10 %.

## 4. GEOMETRY

SIZE	A	B'	C'	D	E	F	G	H	I	J*	S	R
XS	498	710	520	90	76	72,5	381	65	965	765	490	400
S	517	740	540	100	76	73	381	65	980	775	500	415
M	537	770	560	120	76	73	381	65	1000	795	520	430
L	552	800	580	135	76	73	381	65	1020	810	535	445



## 5. CABLE ROUTING

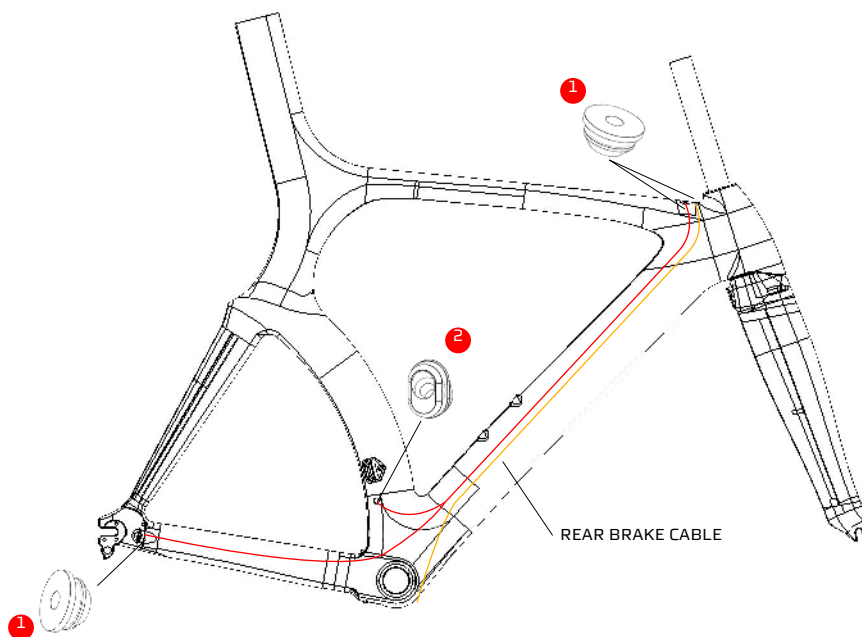
### 5.1. COMPATIBILITY

This Dean is compatible for electrical group sets only (\*).

(\* There's also a Dean available, compatible for mechanical group sets).

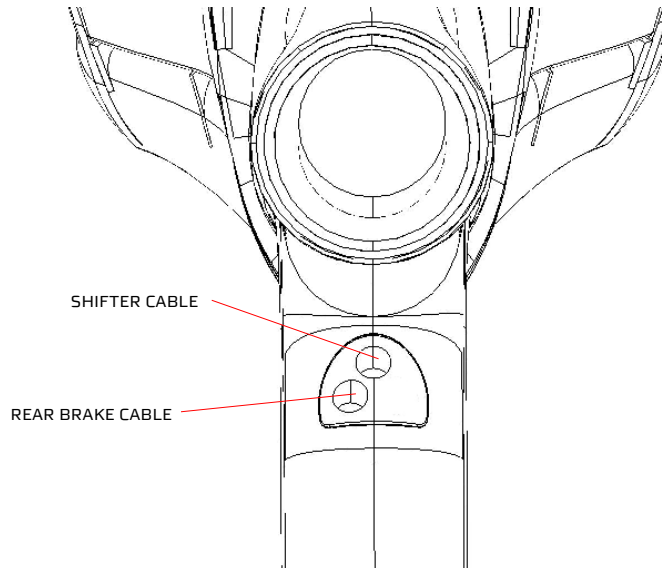
### 5.2. ELECTRONIC CABLE ROUTING

Below you can find the parts needed for an electrical groupset:



NO.	PART	PART CODE	QUANTITY
2	OPEN GROMMET	FRPGROJAG003	2
3	DI2 GROMMET	FRPGROJAG009	1

### 5.3. ELECTRONIC CABLE ROUTING TOP TUBE ENTRY



## 6. PARTS

### 6.1. FORK

The standard fork, used for a Dean, is the 4ZA F-Splitfork TT.

#### 6.1.1. MATERIAL

- Fork legs: Carbon
- Steerer tube: Carbon

#### 6.1.2. DIMENSIONS

- Steerer tube length: 300 mm
- Headset: 1 1/8" upper ring - 1 1/8" lower ring
- Fork rake: 44 mm
- OLD (OverLock nut Distance): 100 mm

### 6.1.3. PART CODES

All the 4ZA F-Splitfork TT forks have a particular part code composed by the letters "FORRFL4ZA...", added by 3 numbers. The three numbers, depending on the design. Due to the big amount of forks we don't list all the numbers but you can contact your local dealer for more information if needed.

### 6.2. HEADSET

45° Oversized angular contact bearing (S.H.I.S.: I542/28.6|I542/28.6):

- Lower bearing: 1 1/8"
- Upper bearing: 1 1/8"

Recommended headset:

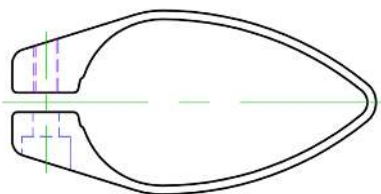
RIDLEY PART CODE	TYPE	BRAND
H5ERAC4ZA001	NO.8B	FSA

### 6.3. SEAT POST

#### 6.3.1. CUTTING THE SEAT POST

Cut the integrated seat post at a desired length with the help of a standard metal saw and the Ridley cutting guide

(Part code: SPCDEA4ZA007). Use a Ridley aero saddle clamp to fit the integrated seat post.

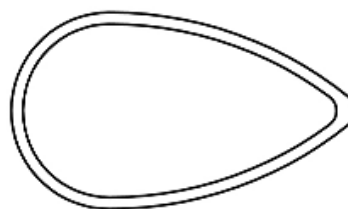


**! KEEP IN MIND THE MAXIMUM CUT OFF LENGTH OF 70 MM.**

#### 6.3.2. SPACERS

The bottom of the saddle clamp has to be supported. If the saddle clamp doesn't touch the top of the seat tube it's necessary to fill up the gap between seat tube and saddle clamp with spacers. Below you can find a list with all the available spacers.

PART CODE	DESCRIPTION	THICKNESS
SPCDEA4ZA002	ALLOY SPACER	10 MM
SPCDEA4ZA003	ALLOY SPACER	1 MM
SPCDEA4ZA004	ALLOY SPACER	3 MM
SPCDEA4ZA005	ALLOY SPACER	5 MM
SPCDEA4ZA006	ALLOY SPACER	8 MM



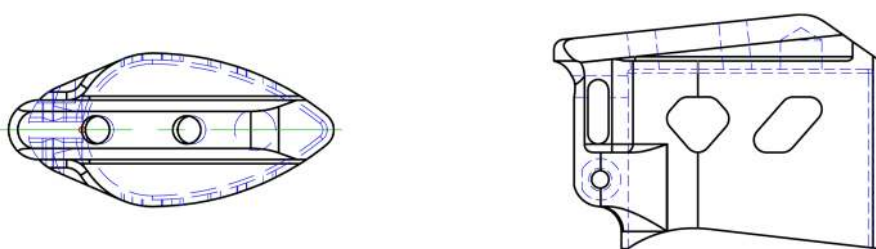
**! KEEP IN MIND THAT THERE IS A MAXIMUM AMOUNT OF SPACERS. THE MINIMUM INSERT LINE ON THE SADDLE CLAMP HAS TO BE BELOW THE TOP OF THE SEAT TUBE.**

**6.3.3. SADDLE CLAMPS**

The saddle clamps used for the Dean have two fixing positions for the saddle to change the seat angle with 2° like illustrated below

PART CODE	DESCRIPTION	MAXIMUM SPACER HEIGHT (1)
SPCDEA4ZA010	SADDLE CLAMP TT/TRI, BLACK	20 MM
SPCDEA4ZA011	SADDLE CLAMP TT/TRI, BLACK, EXTRA HIGH	40 MM
SPCDEA4ZA014	SADDLE CLAMP TT/TRI, WHITE	20 MM

(1) The maximum allowed spacers height between the integrated seat post and the saddle clamp. This is just a reference value, never use more spacers than mentioned by the mark on the saddle clamp.



TT		
SIZE	E (SEAT TUBE ANGLE)	3 (FRONT)
XS	76	78
S	76	78
M	76	78
L	76	78
XL	76	78

**6.4. BOTTOM BRACKET**

The bottom bracket is BSA threaded and has a width of 68 mm to fit standard BSA68 cups.

**6.5. BRAKES**

The Dean is suited for most standard time trial brakes, available in the market, however the brakes used by Ridley are:

- Type: Tektro R725
- Part code: FBRRFLTEK001 (Front brake)
- RBRRFLTEK001 (Rear brake)

## 6.6. DERAILLEUR

### 6.6.1. FRONT

The frame is provided with a braze on mount.

### 6.6.2. REAR

The hanger, used for the Dean is the HAATIMRID003.



## 6.7. DROP OUTS

The carbon drop outs have stainless steel inserts for extra protection.

# 7. WHEELS AND TIRES

### 7.1. FORK

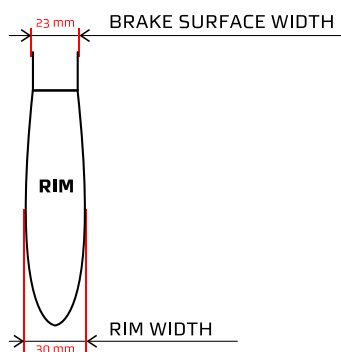
The fork is developed for 700C race wheels with a build in width of 100 mm and a quick release system with a maximum diameter of 9 mm.

#### Fork - wheel clearance

The 4ZA F-Splitfork TT can accommodate wheels with a maximum rim width of 26 mm.

#### Fork - tire clearance

The maximum recommended tire width is 25 mm.

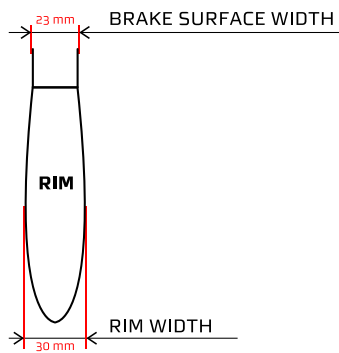




## 7.2. FRAME

The frame is developed for 700C race wheels with a build in width of 130 mm and a quick release system with a maximum diameter of 10 mm.

- Frame - wheel clearance  
The frame can accommodate wheels with a maximum rim width of 26 mm.
- Frame - tire clearance  
The maximum recommended tire width is 25 mm.



## 8. WARRANTY INFORMATION

### 8.1. MAXIMUM RIDER WEIGHT

The maximum advised rider weight is 95 kg.

**#BeTOUGH**