



X-TRAIL
FRAME PASSPORT

TYPE: 7DF
LAST UPDATE: 27/06/2017

#BeTOUGH

INDEX

- 0. UPDATES..... 3**
- 1. GENERAL..... 3**
 - 1.1. Description 3
 - 1.2. Part codes..... 3
- 2. MATERIAL 3**
- 3. WEIGHT 3**
 - 3.1. Frame..... 3
 - 3.2. Fork..... 3
- 4. GEOMETRY..... 4**
- 5. CABLE ROUTING 4**
 - 5.1. Compatibility 4
 - 5.2. Mechanical cable routing..... 4
 - 5.3. Electronic cable routing 5
 - 5.3.1. Battery mount positions 5
- 6. PARTS 5**
 - 6.1. Fork..... 5
 - 6.1.1. Material..... 5
 - 6.1.2. Dimensions 5
 - 6.1.3. Brake Mount information..... 6
 - 6.1.4. Part codes 6
 - 6.2. Headset 6
 - 6.3. Seat post..... 6
 - 6.3.1. Seat post clamp 6
 - 6.4. Bottom bracket 6
 - 6.5. Brakes..... 7
 - 6.6. Derailleurs 7
 - 6.6.1. Front 7
 - 6.6.2. Rear..... 7
 - 6.7. Hidden fender mounts 7
- 7. WHEELS AND TIRES..... 8**
 - 7.1. Fork..... 8
 - 7.2. Frame..... 8
 - 7.3. Tires 8
- 8. WARRANTY INFORMATION..... 8**
 - 8.1 Maximum rider weight 8



0. UPDATES

The development of frames, forks and components is a continuous running process. Therefore we strongly advise before reading this information sheet check our website for new updates.

1. GENERAL

1.1. DESCRIPTION

The X-Trail Carbon is our premium Allroad platform. Following the Go Anywhere, Anytime concept, it opens a world of possibilities. It's not a road bike. It's not a cross bike. It's a sublime combination of road speed and cross ruggedness. Add in the tire clearance of a mountain bike and you start to approach what this bicycle is capable of. Ridley's strong heritage in Road and Cyclocross Racing are fused together to create an entirely new category of bicycle.

X-Trail, Experience more!

1.2. PART CODES

All X-Trail Carbon frames have a particular part code composed by the letters "FRAXTRRID...", added by 3 numbers. The three numbers change depending on the design and size of the frame. Due to the big amount of frames we don't list all the numbers but you can contact your local dealer for more information if needed.

2. MATERIAL

Used frame materials:

- 30 ton High Modulus – High Resistance Carbon
- 24 ton High Modulus Carbon

3. WEIGHT

3.1. FRAME

SIZE	WEIGHT (*)
XXS	960 GRAMS
XS	980 GRAMS
S	1010 GRAMS
M	1040 GRAMS
L	1080 GRAMS
XL	1120 GRAMS

(*) Weight of unpainted frame, real weight may differ from the weight mentioned above by 10 %.

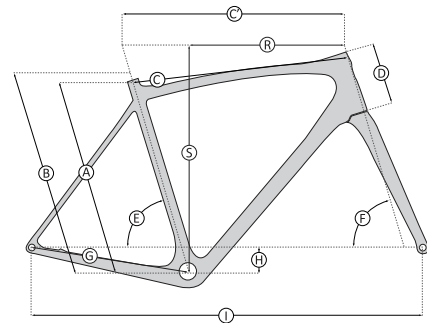
3.2. FORK

The weight of the X-Trail fork is around 490 g (*)

(*) Weight of unpainted fork, real weight may differ from the weight mentioned above by 10 %.

4. GEOMETRY

SIZE	A	B	C	C'	D	E	F	G	H	I	J*	S	R
XXS	410	450	499	515	100	75,0	70,5	420	74	998	756	520	375
XS	440	480	506	525	120	74,5	71,0	420	74	1000	780	541	375
S	470	510	530	545	140	73,5	71,0	422	72	1010	802	558	380
M	500	540	549	565	165	73,0	71,5	422	72	1023	830	584	386
L	530	570	567	585	195	72,5	71,5	422	70	1038	861	610	392
XL	560	600	583	600	220	72,5	72,0	422	70	1048	889	636	399



(*) J: Stand over height, measured with 25 mm tires installed.

5. CABLE ROUTING

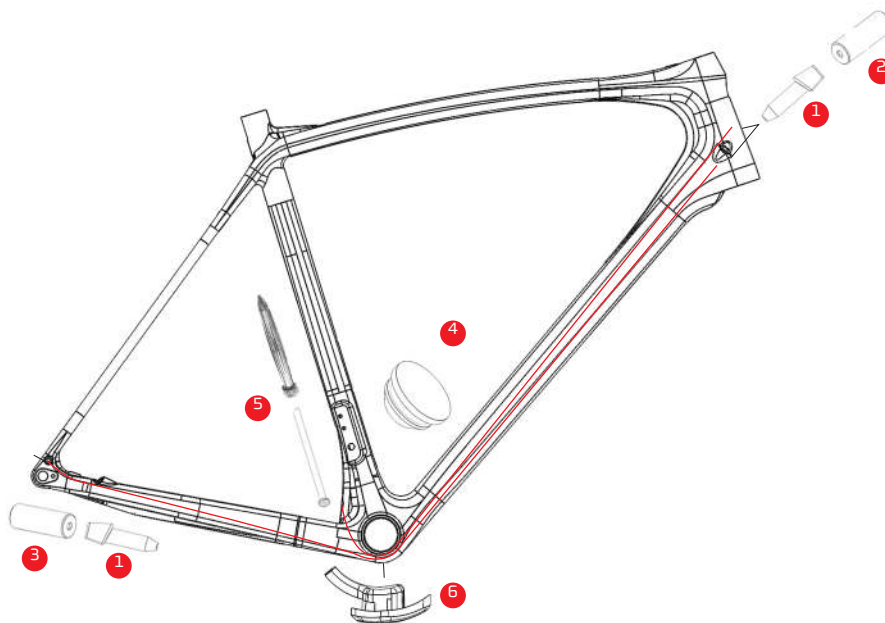
5.1. COMPATIBILITY

The X-Trail Carbon is compatible with:

- Mechanical groupsets
- Electronical groupsets: Shimano Di2 with internal battery and SRAM eTap

5.2. MECHANICAL CABLE ROUTING

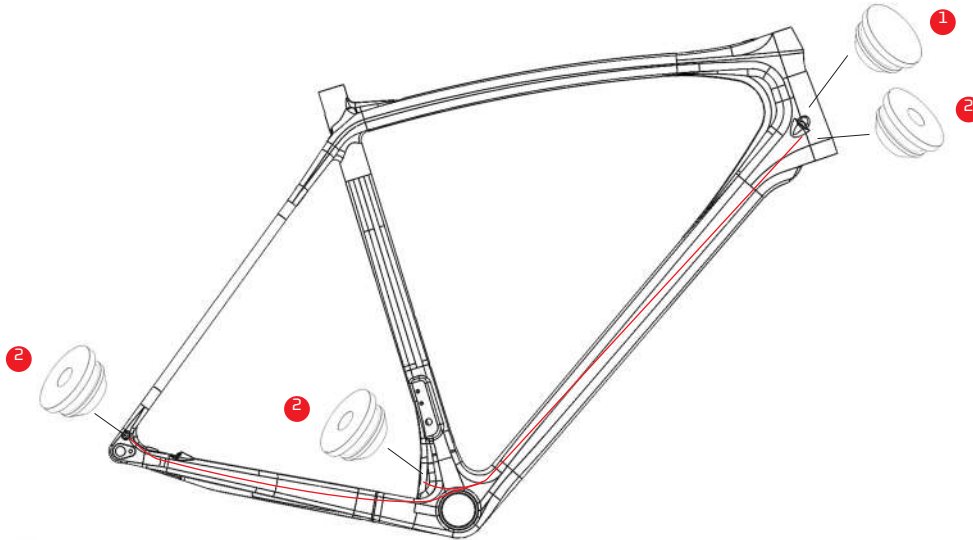
Below you can find the parts needed for a mechanical groupset:



NO.	PART	PART CODE	QUANTITY
1	RIDLEY CABLE STOPPER INT. ROUT	FRPSTORID006	3
2	JAGW - END CAP 4MM WITH LINER	CABSTIJAG037	2
3	JAGW - END CAP 4MM	CABSTIJAG002	1
4	JAGWIRE PLUG FLAT TOP - CLOSED	FRPGROJAG002	1
5	RAIN & DIRT CABLE PROTECTOR	CABSTIJAG038	1
6	BB CABLE GUIDE	CBGR CERID017	1
7	INLINE STI CABLE ADJUSTER	CABSTI4ZA002	1

5.3. ELECTRONIC CABLE ROUTING

Below you can find a drawing of the parts needed for an electronic groupset:



NO.	PART	PART CODE	QUANTITY
1	JAGWIRE PLUG FLAT TOP - CLOSED	FRPGROJAG002	1
2	JAGWIRE PLUG FLAT TOP - 3MM	FRPGROJAG003	3

5.3.1. BATTERY MOUNT POSITIONS

The internal Shimano Di2 battery can be mounted in the seat post, by using a special adapter (SPTDI24ZA001)

6. PARTS

6.1. FORK

The X-Trail Carbon comes with the Oryx Disc TA fork. The Oryx Disc fork is a fork with tapered steerer.

6.1.1. MATERIAL

Fork legs: 24 & 30 ton high Modulus Carbon

6.1.2. DIMENSIONS

Steerer tube length: 300 mm

Headset: 1 1/8" upper ring – 1 1/2" lower ring

Fork rake: 47 mm

OLD (OverLock nut Distance): 100 mm

Axle system: 15mm Thru-Axle (up to 2016), 12mm Thru-Axle (running change from 2016)

Axle pitch: 1.5mm



6.1.3. BRAKE MOUNT INFORMATION

Disc brake mounting system: Shimano Flatmount, compatible with 140mm and 160mm rotors

Disc brake compatibility: Flatmount or Postmount

The Oryx Disc 15TA is backwards compatible with postmount disc calipers by using following adapters:

- For 140mm rotor: BRPADATRP005
- For 160mm rotor: BRPADATRP002

6.1.4. PART CODES

All the Oryx Disc 15TA forks have a particular part code composed by the letters 'FORORY4ZA..', added by 3 numbers. The three numbers, depending on model and graphic design. Due to the big amount of forks we don't list all the numbers but you can contact your local dealer for more information if needed.

6.2. HEADSET

45° Oversized angular contact bearing (S.H.I.S.: IS42/28,6|IS52/40):

Lower bearing: 1 1/2"

Upper bearing: 1 1/8"

Recommended headsets:

RIDLEY PART CODE	TYPE	BRAND
HSERACFSA008	NO.42/ACB-A-H6091	FSA
HSERACFSA009	NO.42/CFST/ACB-A-H6091	FSA

6.3. SEAT POST

The X-Trail carbon is compatible with 27,2mm seatposts.

6.3.1. SEAT POST CLAMP

The seat post clamp size is 31,8mm.

6.4. BOTTOM BRACKET

The frame is designed for Press-Fit BB86 cups with a diameter of 41 mm and width of 86,5 mm. Below bottom bracket cups are being used for the standard assembled bikes.

PART CODE	BRAND	DESCRIPTION	COMPATIBLE CRANKSETS
BBRB92SHI001	SHIMANO	SHIMANO BB92-41B PRESS-FIT CUPS	24MM SPINDLE CRANKSETS
BBRB72SHI002	SHIMANO	SHIMANO BB72-41B PRESS-FIT CUPS	24MM SPINDLE CRANKSETS

6.5. BRAKES

The X-Trail Carbon frame is compatible with most standard disc brakes, available in the market.

Disc brake mounting system: Shimano Flatmount (20mm bolts spec), compatible with 140mm and 160mm rotors

Disc brake compatibility: Flatmount or Postmount

The X-Trail Carbon frame is backwards compatible with postmount disc calipers by using following adapters:

- For 140mm rotor: BRPADATRP003
- For 160mm rotor: BRPADATRP004

6.6. DERAILLEURS

6.6.1. FRONT

The frame is provided with a removable braze-on clamp (part code FDCFECRID003).

We recommend using a 2,5mm spacer (partcode FDCXTRRID001) to get the best chainline and tire clearance.

6.6.2. REAR

The hanger, used for the X-Trail Carbon, is HAAXTRRID001.



6.7. HIDDEN FENDER MOUNTS

The X-Trail Carbon frame and Oryx Disc 15TA fork feature hidden fender mounts. This makes it possible to install the optional X-Trail fenders (proprietary design).

As the frame doesn't have a seatstay bridge, it is necessary to install the removable bridge (part-code FRPBIRID001), which is part of the optional fender kit.

7. WHEELS AND TIRES

7.1. FORK

The fork is developed for 700C wheels with a build in width of 100 mm and a 15mm Thru-Axle. We recommend a maximum tire size of 38mm (700x38c). The fork will be equipped with a 4ZA quick release (part code QRET154ZA001).

7.2. FRAME

The frame is compatible with 700c Disc wheels with 142x12 Thru-Axle system.
Quick Release: QRET124ZA001 (M12x1.5 thread / 167mm axle length)

7.3. TIRES

We recommend 36 mm (700x36c) as maximum tire size for the rear wheel.
Please note that not all tire manufacturers use the same sizing standard so we recommend to do assembly check and confirm clearances.

8. WARRANTY INFORMATION

8.1 MAXIMUM RIDER WEIGHT

The maximum advised rider weight is 95 kg.

#BeTOUGH