



TEMPO X WOMEN

FRAME PASSPORT

TYPE: 7DB

LAST UPDATE: 16/10/2015

#BeTOUGH

INDEX

0. UPDATES.....	3
1. GENERAL.....	3
1.1. Description.....	3
1.2. Part codes.....	3
2. MATERIAL	3
3. WEIGHT	3
3.1. Frame.....	3
3.2. Fork.....	3
4. GEOMETRY.....	4
5. CABLE ROUTING	4
5.1. Compatibility.....	4
5.2. Mechanical cable routing.....	4
6. PARTS	5
6.1. Fork.....	5
6.1.1. Material.....	5
6.1.2. Dimensions	5
6.1.3. Part codes	5
6.2. Headset.....	5
6.3. Seat post.....	6
6.4. Bottom bracket	6
6.5. Brakes.....	6
6.6. Derailleur	6
6.6.1. Front.....	6
6.6.2. Rear.....	6
7. WHEELS AND TIRES.....	7
7.1. Fork.....	7
7.2. Frame.....	7
8. WARRANTY INFORMATION.....	7
8.1. Maximum rider weight	7

0. UPDATES

The development of frames, forks and components is a continuous running process. Therefore we strongly advise before reading this information sheet check our website for new updates.

1. GENERAL

1.1. DESCRIPTION

Cycling is freedom and what better way to explore it than with the versatile Tempo X Women. Combine a comfortable and sportive cross geometry with the versatility of the MTB drive train and you are set for numerous hours of effortless commuting or road and off-road fitness cycling.

1.2. PART CODES

All the Tempo X Women frames have a particular part code composed by the letters "FRATXMRID...", added by 3 numbers. The three numbers change depending on the design and size of the frame. Due to the big amount of frames we don't list all the numbers but you can contact your local dealer for more information if needed.

2. MATERIAL

The Tempo X Women is made of high quality 7005 aluminum.

3. WEIGHT

3.1. FRAME

SIZE	WEIGHT (*)
XS	1820 GRAMS
S	1860 GRAMS
M	1900 GRAMS

(*) Weight of painted frame, real weight may differ from the weight mentioned above by 10 %.

3.2. FORK

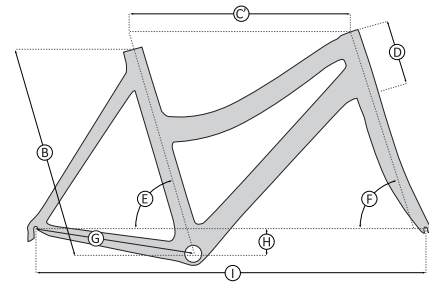
The weight of the 4ZA Zornyc V- & Disc brake fork is around 730 g (*)

(*) Weight of painted fork, real weight may differ from the weight mentioned above by 10 %.

4. GEOMETRY

SIZE	B	C	D	E	F	G	H	I	J*
XS	460	530	145	74.5	72	425	50	1011	670
S	500	545	150	74,5	72	425	50	1025	670
M	540	555	165	74	72	425	50	1031	670

(*) J: Stand over height



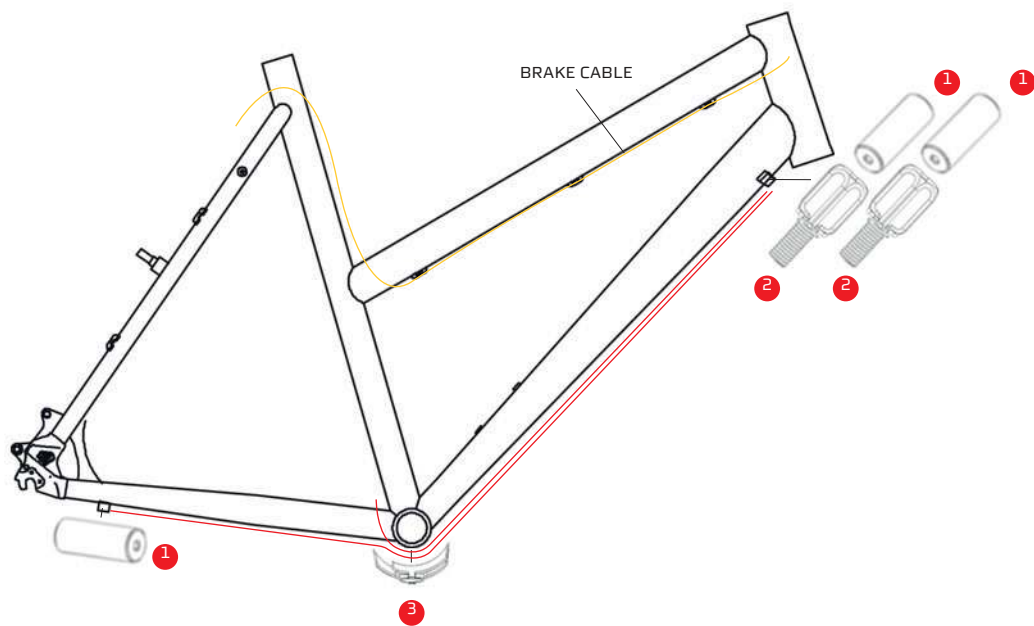
5. CABLE ROUTING

5.1. COMPATIBILITY

The Tempo X Women is compatible for mechanical group sets only.

5.2. MECHANICAL CABLE ROUTING

Below you can see the cable routing of the Tempo X Women.



NO.	PART	PART CODE	QUANTITY
1	END CAP, SHIFTER CABLE	CABSTIJAG002	3
2	CABLE ADJUSTER	CABSTI4ZA005	2
3	CABLE GUIDE	CBGR CERID001	1

6. PARTS

6.1. FORK

The standard fork, used for a Tempo X Women, is the 4ZA Zornyc V- & Disc brake fork.

6.1.1. MATERIAL

Fork legs: Carbon
Steerer tube: Alloy

6.1.2. DIMENSIONS

Steerer tube length: 300 mm
Headset: 1 1/8" upper ring – 1 1/8" lower ring
Fork rake: 47 mm
OLD (OverLock nut Distance): 100 mm

6.1.3. PART CODES

All the 4ZA Zornyc V- & Disc brake forks have a particular part code composed by the letters "FOR-ZOR4ZA...", added by 3 numbers. The three numbers, depending on the design. Due to the big amount of forks we don't list all the numbers but you can contact your local dealer for more information if needed.

6.2. HEADSET

45° Oversized angular contact bearing (S.H.I.S.: ZS41/28,6|ZS41/30):

Lower bearing: 1 1/8"
Upper bearing: 1 1/8"

Recommended headset:

RIDLEY PART CODE	TYPE	BRAND
HSERACRID001	NO10AY	FSA

6.3. SEAT POST

The Tempo X Women frame is developed to use a 31,6 mm seat post. To fix the seat post the 4ZA 34,9 mm (Part Code: SPCSNG4ZA011) seat post clamp can be used.

6.4. BOTTOM BRACKET

The bottom bracket is BSA threaded and has a width of 68 mm to fit standard BSA68 cups.

6.5. BRAKES

The Tempo X Women is suited for:

- Cantilever brakes
- Disc brakes
 - Fork: Type: IS mount
Max. rotor size: 160 mm
 - Frame: Type: IS mount
Max. rotor size: 160 mm

6.6. DERAILLEUR

6.6.1. FRONT

The frame is designed to use a clamp on derailleur for a 34,9 mm seat tube. Also a braze on derailleur can be used if it's used together with the 4ZA 34,9 mm front derailleur clamp (Part code: FD-CNOB4ZA004).

6.6.2. REAR

The hanger, used for the Tempo X Women is the HAAMTBRID001.



7. WHEELS AND TIRES

7.1. FORK

The fork is developed for 700C wheels with a build in width of 100 mm and a quick release system with a maximum diameter of 9 mm.

7.2. FRAME

The frame is developed for 700C cyclocross wheels with a build in width of 135 mm and a quick release system with a maximum diameter of 10 mm.

8. WARRANTY INFORMATION

8.1. MAXIMUM RIDER WEIGHT

The maximum advised rider weight is 95 kg.

#BeTOUGH