



FENIX ALU
FRAME PASSPORT

TYPE: 7DF
LAST UPDATE: 12/04/2017

#BeTOUGH

**INDEX**

0. UPDATES.....	3
1. GENERAL.....	3
1.1. Description	3
1.2. Part codes.....	3
2. MATERIAL	3
3. WEIGHT	3
3.1. Frame.....	3
3.2. Fork.....	3
4. GEOMETRY.....	4
5. CABLE ROUTING	4
5.1. Compatibility	4
5.2. Mechanical cable routing.....	4
6. PARTS	5
6.1. Fork.....	5
6.1.1. Material.....	5
6.1.2. Dimensions	5
6.1.3. Part codes	5
6.2. Headset.....	5
6.3. Seat post.....	6
6.4. Bottom bracket	6
6.5. Brakes.....	6
6.6. Derailleur	6
6.6.1. Front.....	6
6.6.2. Rear.....	6
7. WHEELS AND TIRES.....	7
7.1. Fork.....	7
7.2. Frame.....	7
7.3. Tires	7
8. WARRANTY INFORMATION.....	7
8.1. Maximum rider weight	7

0. UPDATES

The development of frames, forks and components is a continuous running process. Therefore we strongly advise before reading this information sheet check our website for new updates.

1. GENERAL

1.1. DESCRIPTION

Unique alloy frame with new technical features (TIG thin pulse welding, oversized head tube). The oversized sharp edge tubing guarantees the right amount of stiffness and a high impact resistance. The specially developed flex areas in the seat stays absorb vibrations from the road to give the rider the right amount of comfort. This is a true all-rounder!

1.2. PART CODES

All the Fenix ALU frames have a particular part code composed by the letters "FRAFEARID...", added by 3 numbers. The three numbers change depending on the design and size of the frame. Due to the big amount of frames we don't list all the numbers but you can contact your local dealer for more information if needed.

2. MATERIAL

The Fenix Alu is made of high quality 6061 tripple butted heat-treated aluminum.

3. WEIGHT

3.1. FRAME

size	weight (*)
XxS	1440 grams
XS	1460 grams
S	1500 grams
M	1560 grams
L	1620 grams
XL	1690 grams

(*) Weight of painted frame, real weight may differ from the weight mentioned above by 10 %.

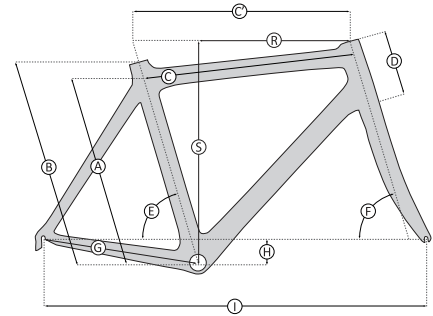
3.2. FORK

The weight of the 4ZA Fenix SL fork is around 360 g (*).

(*) Weight of painted fork, real weight may differ from the weight mentioned above by 10 %.

4. GEOMETRY

SIZE	A	B	C	C'	D	E	F	G	H	I	J*	S	R
XXS	410	450	504	515	107	75	71,8	410	68	975	737	505	380
XS	440	480	513	525	127	74	72	410	68	975	762	524	375
S	470	510	533	545	142	73,5	73	410	66	982	785	540	385
M	500	540	551	565	172	73	73,5	410	66	992	816	570	391
L	530	570	571	585	202	72,5	73,5	413	63	1010	845	596	397
XL	560	600	586	600	227	72,5	74	413	63	1019	872	622	404



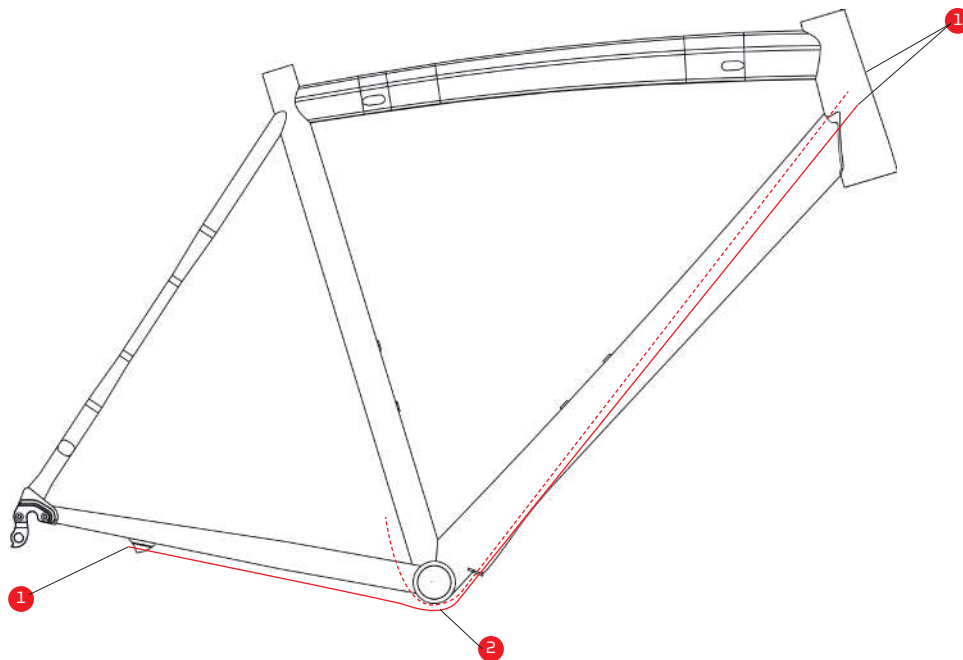
5. CABLE ROUTING

5.1. COMPATIBILITY

The Fenix 7005 is compatible for mechanical group sets only.

5.2. MECHANICAL CABLE ROUTING

Below you can see the cable routing of the Fenix ALU.



no.	part	part code	quantity
1	End cap	CABSTIJAG002	3
2	Cable guide	CBGRCERID002	1



6. PARTS

6.1. FORK

The standard fork, used for a Fenix ALU, is the 4ZA Fenix SL fork.

6.1.1. MATERIAL

Fork legs: Carbon

Steerer tube: Carbon

6.1.2. DIMENSIONS

Steerer tube length: 300 mm

Headset: 1 1/8" upper ring – 1 1/2" lower ring

Fork rake: 45 mm

OLD (OverLock nut Distance): 100 mm

6.1.3. PART CODES

All the 4ZA Fenix 7005 forks have a particular part code composed by the letters "FORCFR4ZA...", added by 3 numbers. The three numbers, depending on the design. Due to the big amount of forks we don't list all the numbers but you can contact your local dealer for more information if needed.

6.2. HEADSET

45° Oversized angular contact bearing (S.H.I.S.: IS42/28,6|IS52/40):

Lower bearing: 1 1/2"

Upper bearing: 1 1/8"

Recommended headsets:

ridley part code	type	brand
HSERACFSA004	NO.42/ACB	FSA
HSERACFSA005	NO.42/CFST/ACB	FSA

6.3. SEAT POST

The Fenix ALU frame is developed to use a 27,2 mm seat post. To fix the seat post the 4ZA 31,8 mm (Part Code: SPCSNGNOB001) seat post clamp can be used.

6.4. BOTTOM BRACKET

The bottom bracket is BSA threaded and has a width of 68 mm to fit standard BSA68 cups.

6.5. BRAKES

The Fenix 7005 is suited for most standard brakes, available in the market.

6.6. DERAILLEUR

6.6.1. FRONT

The frame is designed to use a clamp on derailleur for a 31,8 mm seat tube. Also a braze on derailleur can be used if it's used together with the 4ZA 34,9 mm front derailleur clamp (Part code: FDCNOB4ZA004).

6.6.2. REAR

The hanger, used for the Fenix 7005 is the HANRCERID036.





7. WHEELS AND TIRES

7.1. FORK

The fork is developed for 700C race wheels with a build in width of 100 mm and a quick release system with a maximum diameter of 9 mm.

7.2. FRAME

The frame is developed for 700C race wheels with a build in width of 130 mm and a quick release system with a maximum diameter of 10 mm.

7.3. TIRES

We recommend a maximum tire width of 28 mm with a maximum rim width of 28 mm.

Please note that not all tire manufacturers use the same sizing standard so we recommend to do an assembly check and confirm clearances.

8. WARRANTY INFORMATION

8.1. MAXIMUM RIDER WEIGHT

The maximum advised rider weight is 95 kg.

#BeTOUGH