



SHARE YOUR RIDE

#BUILTFORGLORY



DEAN FRAME PASSPORT

TYPE: 7E0

LAST UPDATE: 03/02/2016

INDEX

0.	UPDATES.....	3
1.	GENERAL	3
1.1.	DESCRIPTION.....	3
1.2.	PART CODES	3
2.	MATERIAL.....	3
3.	WEIGHT.....	3
3.1.	FRAME.....	3
3.2.	FORK.....	3
4.	GEOMETRY	4
5.	CABLE ROUTING.....	4
5.1.	COMPATIBILITY	4
5.2.	MECHANICAL CABLE ROUTING	4
5.2.1.	MECHANICAL CABLE ROUTING TOP TUBE ENTRY	5
5.3.	ELECTRONIC CABLE ROUTING	5
5.3.1.	SHIMANO DI2 AND CAMPAGNOLE EPS	5
5.3.2.	ELECTRONIC CABLE ROUTING TOP TUBE ENTRY	6
5.3.3.	BATTERY MOUNT POSITION	6
5.3.	WIRELESS GROUPSET.....	7
5.4.1.	SRAM ETAP	7
5.3.1.	WIRELESS GROUPSET TOP TUBE	7
6.	PARTS.....	8
6.1.	FORK.....	8
6.1.1.	MATERIAL.....	8
6.1.2.	DIMENSIONS	8
6.1.3.	WHEELS	8
6.1.4.	PART CODES	8
6.2.	HEADSET.....	8
6.3.	SEAT POST.....	9
6.3.1	SEAT POST CLAMP	10
6.4.	BOTTOM BRACKET.....	10
6.5.	BRAKES.....	10
6.6.	DERAILLEUR.....	11
6.6.1.	FRONT.....	11
6.6.2.	REAR.....	11
6.8.	WHEELS.....	12
6.8.1.	CLEARANCE	12
7.	WARRANTY INFORMATION.....	12
7.1.	MAXIMUM RIDER WEIGHT.....	12

0. UPDATES

The development of frames, forks and components is a continuous running process. Therefore we strongly advise before reading this information sheet check our website for new updates.

1. GENERAL

1.1. DESCRIPTION

Fit, Form, Function. The Dean is our third generation of bicycles created to cheat the wind. We have incorporated our accumulated knowledge on how to make riders go fast in to this all new TT / Triathlon platform. Using many of the FAST technologies of our more expensive models, the Dean provides athletes a superior bicycle that is easy to handle in even the most severe cross winds. 5 sizes are available with progressive stack and reach provide perfect fit for all day comfort in the saddle.

1.2. PART CODES

All the Dean frames have a particular part code composed by the letters "FRADEARID...", added by 3 numbers. The three numbers change depending on the design and size of the frame. Due to the big amount of frames we don't list all the numbers but you can contact your local dealer for more information if needed.

2. MATERIAL

Used frame materials:

- 24 ton High Modulus Carbon

3. WEIGHT

SIZE	WEIGHT (*)
XS	1360 GRAMS
S	1380 GRAMS
M	1420 GRAMS
L	1500 GRAMS

(*) Weight of painted frame, real weight may differ from the weight mentioned above by $\pm 10\%$.

3.2. FORK

The weight of the 4ZA Dean fork is around 440 g (*)

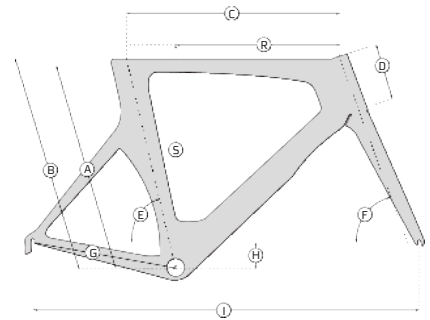
(*) Weight of painted fork, real weight may differ from the weight mentioned above by $\pm 10\%$.

4. GEOMETRY

SIZE	A	B	C	D	E	F	G*	G*	H	I	J**	S	R
XXS	436	486	497	84	77	71	395	399	75	962	742	485	385
XS	460	510	512	101	77	72	395	399	75	966	763	506	395
S	477	527	527	116	77	73	395	399	75	977	779	522	408
M	504	554	548	135	77	73	395	399	75	1002	797	540	425
L	525	575	568	156	76	73	395	399	75	1022	817	560	439

(*) interchangeable dropouts allow to alter the position of the wheel relative to the seat tube

(**) Stand over height



5. CABLE ROUTING

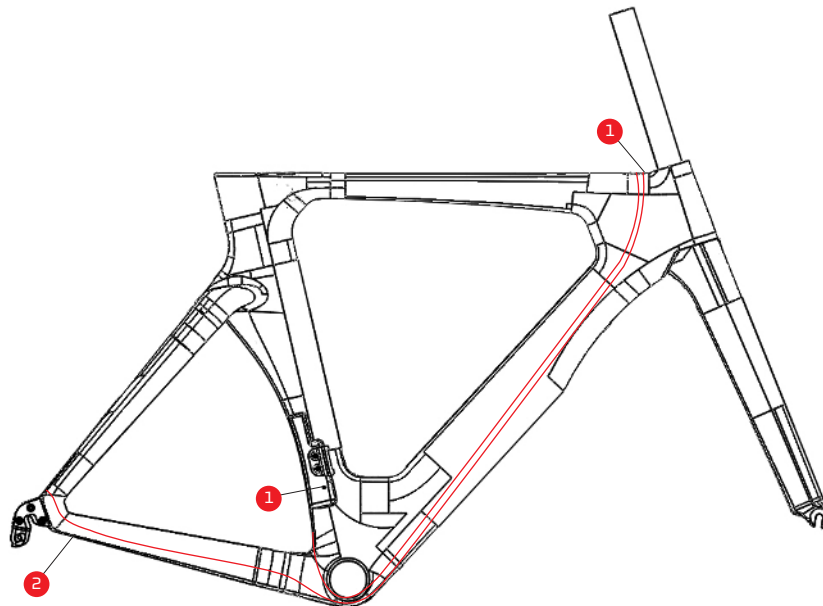
5.1. COMPATIBILITY

The Dean is compatible with:

- mechanical groupsets
- Electronical groupsets: Shimano Di2, Campagnolo EPS & SRAM eTAP

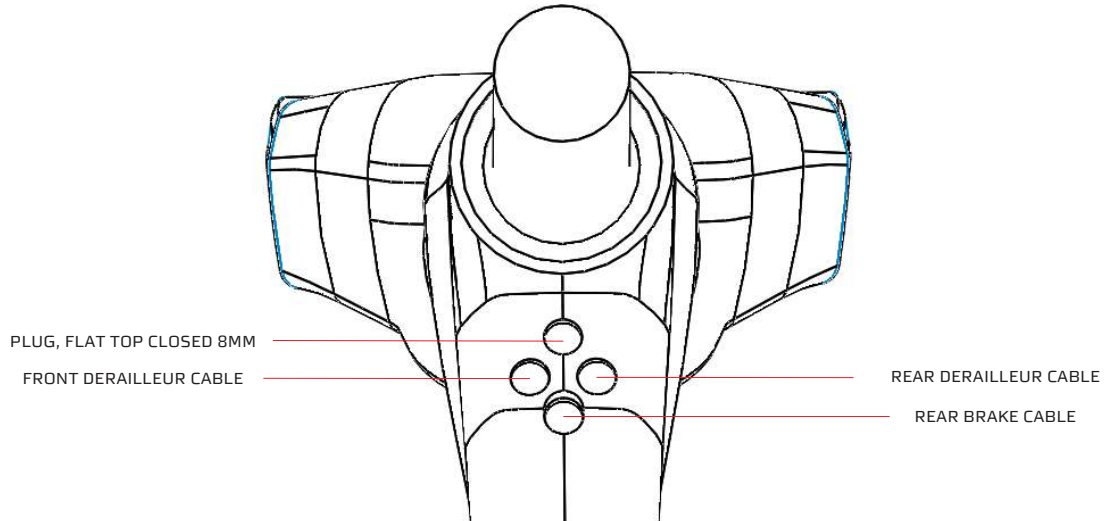
5.2. MECHANICAL CABLE ROUTING

Below you can find the parts needed for a mechanical groupset:



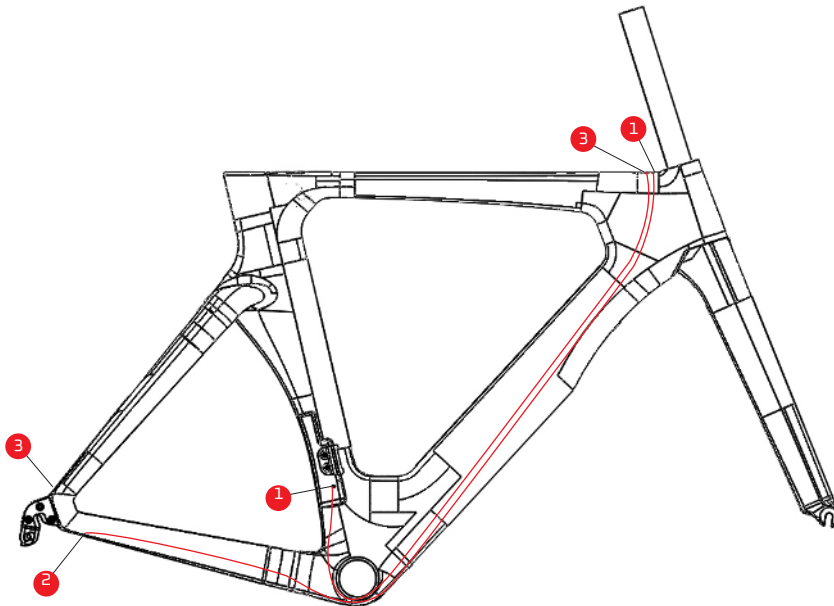
NO.	PART	PART CODE	QUANTITY
1	PLUG, FLAT TOP CLOSED 8MM	FRPGROJAG002	2
2	PLUG, FLAT TOP CLOSED 10MM	FRPGROJAG007	1

5.2.1. MECHANICAL CABLE ROUTING TOP TUBE ENTRY



5.3. ELECTRONIC CABLE ROUTING

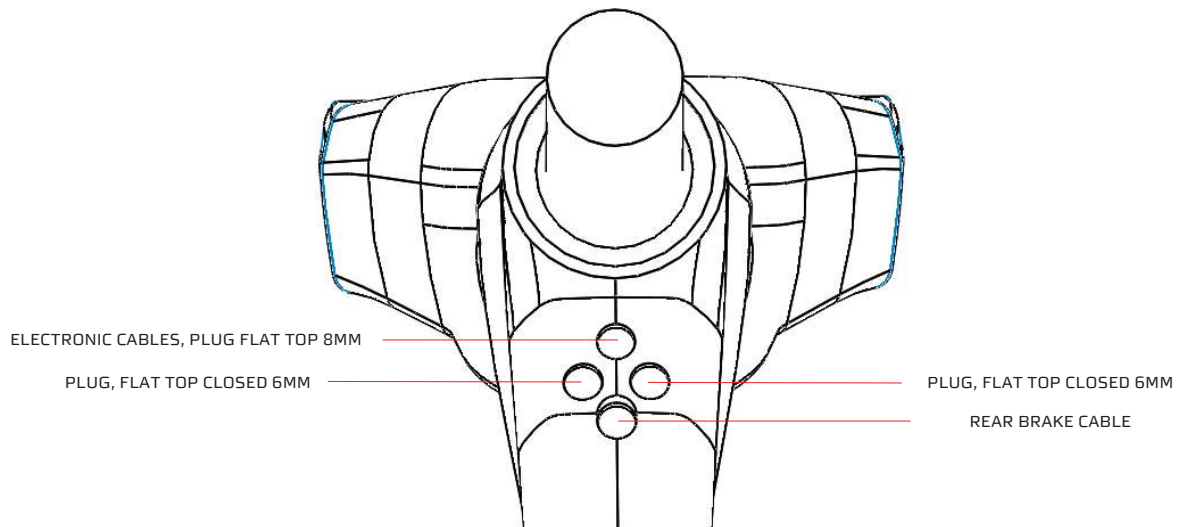
Below you can find the parts needed for an electronic groupset:



5.3.1. SHIMANO DI2 AND CAMPAGNOLE EPS

NO.	PART	PART CODE	QUANTITY
1	PLUG, FLAT TOP 8 MM	FRPGROJAG003	2
2	PLUG, FLAT TOP 10 MM	FRPGROJAG008	1
3	PLUG, FLAT TOP CLOSED 6 MM	FRPGRORID010	3

5.3.2. ELECTRONIC CABLE ROUTING TOP TUBE ENTRY

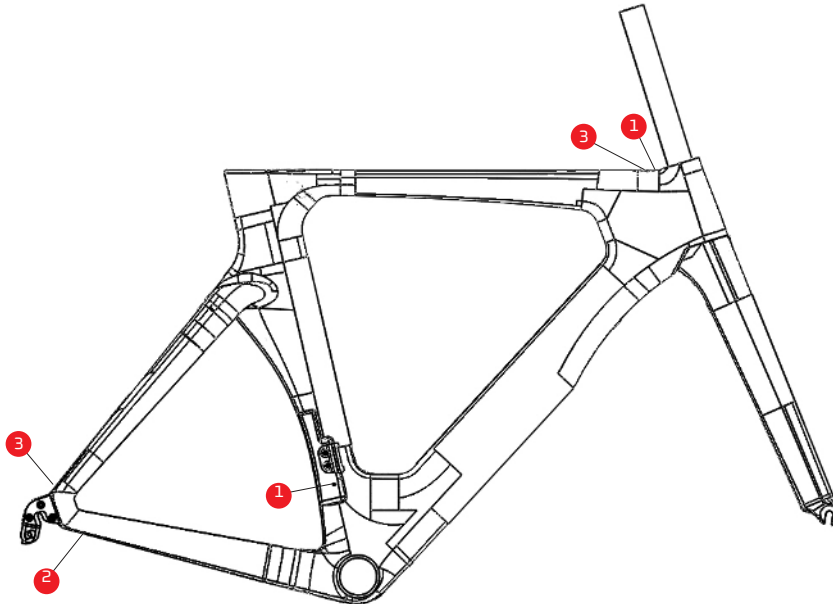


5.3.3. BATTERY MOUNT POSITION

- The internal Shimano Di2 battery can be mounted in the seatpost.
- Campagnolo EPS battery of 2015 and earlier can be mounted in the seat tube. Versions 2016 and later can be mounted in the seatpost.

5.4. WIRELESS GROUPSETS

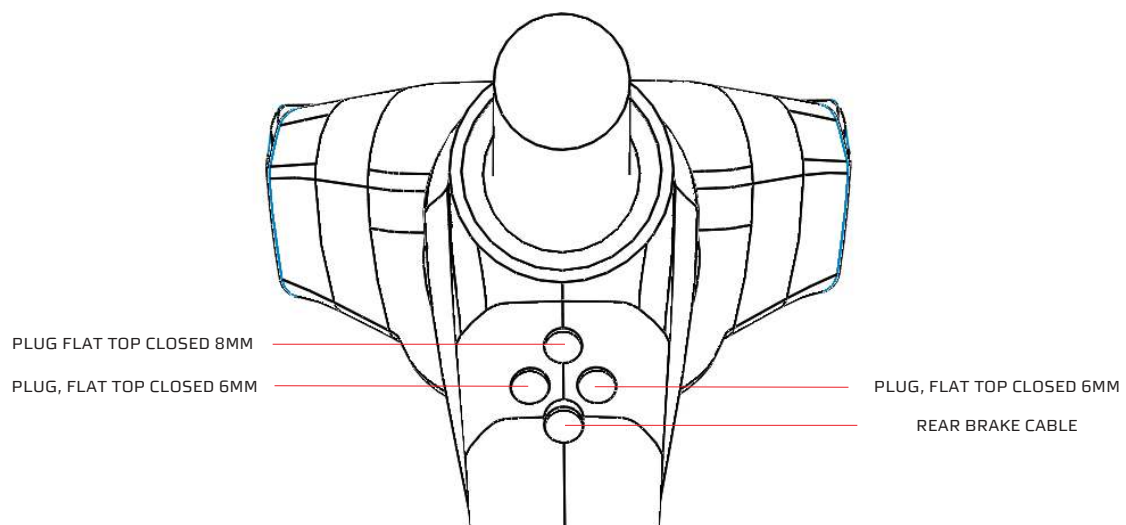
Below you can find the parts needed for a wireless groupset:



5.4.1. SRAM ETAP

NO.	PART	PART CODE	QUANTITY
1	PLUG, FLAT TOP CLOSED 8MM	FRPGROJAG002	2
2	PLUG, FLAT TOP CLOSED 10MM	FRPGROJAG007	1
3	PLUG, FLAT TOP CLOSED 6 MM	FRPGRORID010	3

5.4.2. WIRELESS GROUPSET TOP TUBE



6. PARTS

6.1. FORK

The standard fork, used for a Dean, is the 4ZA Dean fork.

6.1.1. MATERIAL

- Fork legs: Carbon
- Steerer tube: Carbon

6.1.2. DIMENSIONS

- Steerer tube length: 300 mm
- Headset: 1 1/8" upper ring – 1 1/2" lower ring
- Fork rake: 45 mm
- OLD (OverLock nut Distance): 100 mm

6.1.3. WHEELS

The fork is developed for 700C race wheels with a build in width of 100 mm and a quick release system with a maximum diameter of 9 mm.

6.1.4. TIRES

We recommend a maximum tire width of 25 mm with a maximum rim width of 28 mm.

6.1.5. PART CODES

All the 4ZA Dean forks have a particular part code composed by the letters "FOROEMRID...", added by 3 numbers. The three numbers, depending on the design. Due to the big amount of forks we don't list all the numbers but you can contact your local dealer for more information if needed.

6.2. HEADSET

45° Oversized angular contact bearing (S.H.I.S. : IS42/28.6| IS52/40):

- Lower bearing: 1 1/2"
- Upper bearing: 1 1/8"

Recommended headset:

RIDLEY PART CODE	TYPE	BRAND
HSERACF5A008	NO.42/ACB-A-H6091	FSA
HSERACF5A009	NO.42/CFST/ACB-A-H6091	FSA

6.3. SEAT POST

The Dean is standard assembled with the Ridley aero TT seat post (Part code: SEPAER4ZA...). The sliding mechanism allows you to position the saddle in various positions. The illustration below explains the adjusting mechanism and indicates the utmost mounting positions.

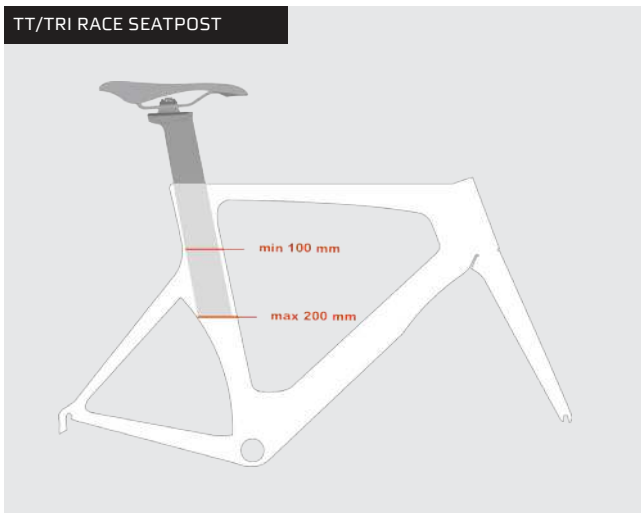
TT/TRI SEATPOST			
POSITION	SEATPOST HEIGHT TO BB MM*	SEAT TUBE ANGLE °	BB DISTANCE MM*
MIN SETBACK (FRONT)	700	77	10
MAX SETBACK (REAR)	1000	73	-150



* Calculated based on the dimensions of the 4ZA TT saddle (SADTTRZA001)

! Pay attention, the **minimum** insert depth of the seat post is 100 mm.
 ! Pay attention, the **maximum** insert depth of the seat post is 200 mm, Maximum insert depth for XXS frame sizes is 180 mm.
 inserting the seatpost too deep into the seat tube can damage the seat tube at the wheel cut out area.

Cut the seat tube to size in order to not exceed the maximum insert depth. A Gluing set is added to the seatpost to glue the battery mount in place.



6.3.1 SEAT POST CLAMP

To fix the aero seat post the SPCDEF4ZA001 seat post clamp has to be used. Maximum allowed torque is 10Nm.

6.4. BOTTOM BRACKET

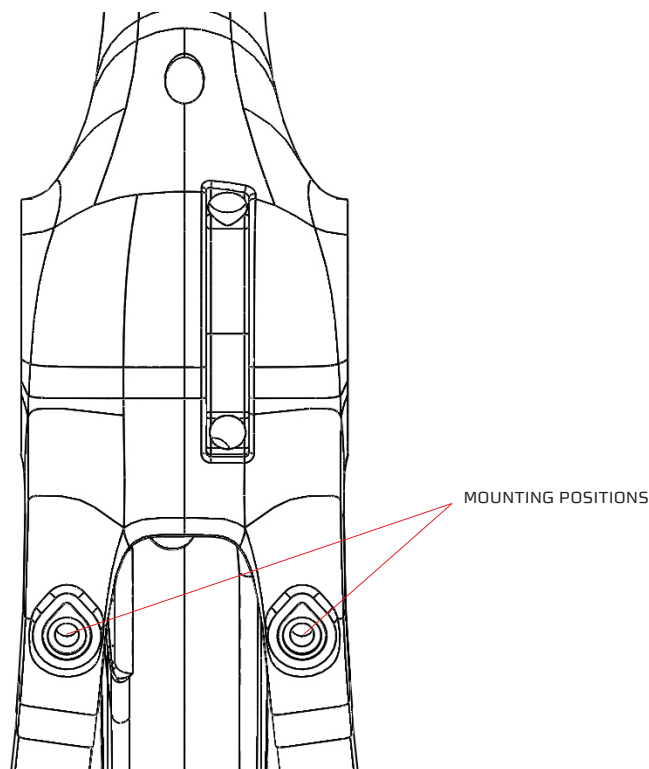
The bottom bracket is designed for press fit 30 cups with a diameter of 46 mm and width of 68 mm.

Below bottom bracket cups are being used for the standard assembled bikes.

PART CODE	BRAND	DESCRIPTION	COMPATIBLE CRANKSETS
BBRPF3SRA001	SRAM	PRESS FIT 30 CUPS	SRAM PRESS FIT 30 CRANKSETS
BBRPF3SRA003	SRAM	PRESS FIT 30 TO BSA 68 ADAPTER	SRAM BSA 68 CRANKSETS SHIMANO BSA 68 CRANKSETS
BBRPF3CAM002	CAMPAGNOLO	ULTRA TORQUE™ OS-FIT™ INTEGRATED CUPS BB30 68X46	CAMPAGNOLO ULTRA TORQUE CRANKSETS
BBRPF3CAM003	CAMPAGNOLO	POWER TORQUE™ OS-FIT™ INTEGRATED CUPS BB30 68X46	CAMPAGNOLO POWER TORQUE CRANKSETS
BBRPF3CBE003	C-BEAR	C-BEAR CUPS FOR CAMPAGNOLO ULTRA TORQUE	CAMPAGNOLO ULTRA TORQUE CRANKSETS
BBRPF3CBE004	C-BEAR	C-BEAR CUPS FOR CAMPAGNOLO POWER TORQUE	CAMPAGNOLO POWER TORQUE CRANKSETS

6.5. BRAKES

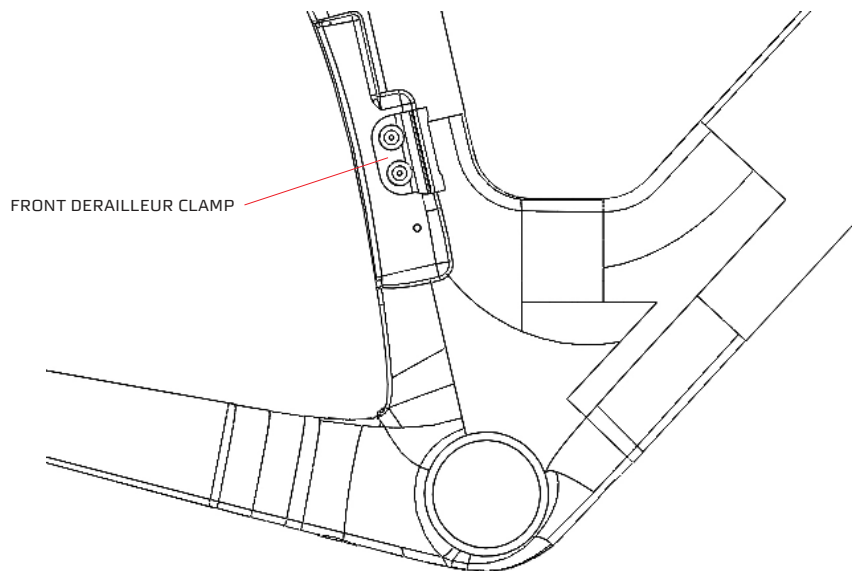
The Dean is suited for most direct mount brakes, available in the market. The image below indicates the bottom bracket direct mount brake mounting positions.



6.6. DERAILLEUR

6.6.1. FRONT

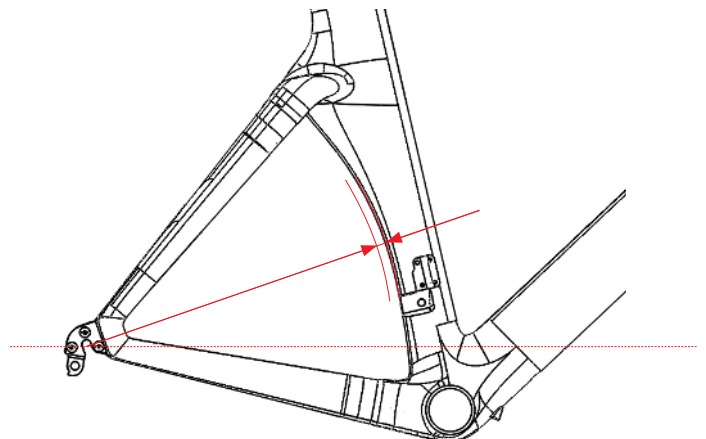
The frame is provided with a bolt on front derailleur clamp (part code: FDCFEC4ZA003).



6.6.2. REAR

The hanger used for the Dean comes in two sizes with both a left and right hanger for each size. All dean hangers have a particular part code composed by the letters “HANTIMRID...”, added by 3 numbers. Switching between the dropouts allows to move the rear wheel 5mm relative to the seat tube. Each hanger is fixed with three M5 x 10 mm bolts (part code: BLTNOBNOB020).

HANGER TYPE	RIDLEY PART CODE	CHAINSTAY LENGTH MM
SHORT POS. LEFT	HANTIMRID009	395
SHORT POS. RIGHT	HANTIMRID010	395
LONG POS. LEFT	HANTIMRID011	399
LONG POS. RIGHT	HANTIMRID012	399



6.7. WHEELS

The frame is developed for 700C race wheels with a build in width of 130 mm and a quick release system with a maximum diameter of 10 mm.

6.7.1. CLEARANCE

- Frame - wheel clearance
The frame can accommodate wheels with a maximum rim width of 28 mm.
- Frame - tire clearance
The maximum recommended tire width is 28 mm.

7. WARRANTY INFORMATION

7.1 MAXIMUM RIDER WEIGHT

The maximum advised rider weight is 95 kg.

#BUILTFORGLORY